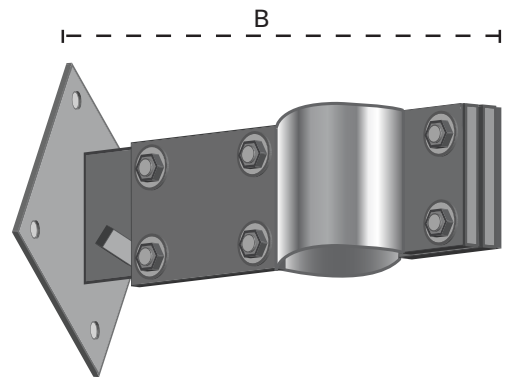
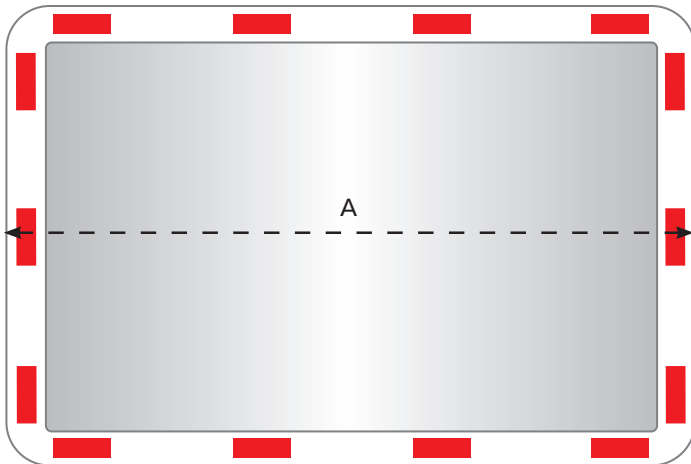


TRAFFIC MIRROR RECTANGULAR PRO SERIES WITH CLAMP BRACKET

Part Number	M1642R
Total Diameter (A)	680x480mm
Mirror Face Diameter	580x380mm
Mirror Depth	49mm
Acrylic Thickness	2mm
Length of Bracket (B)	250mm
Clamp Bracket Dia.	75mm
Back	Moulded ASA

FRONT VIEW



REAR VIEW

ASA Moulded
Back

