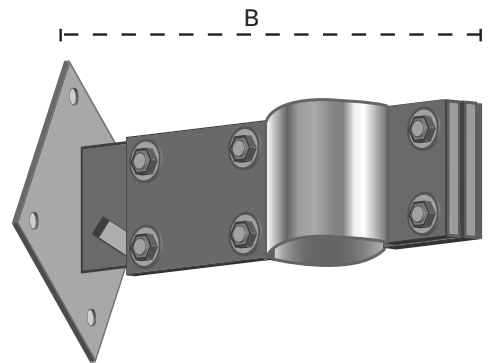
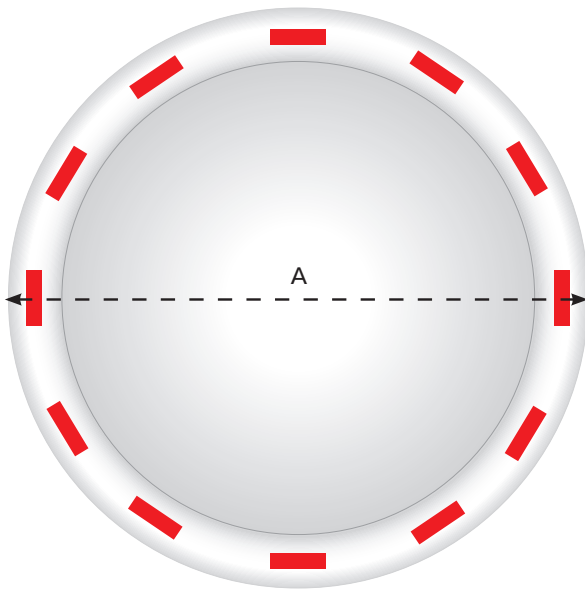


TRAFFIC MIRROR CIRCULAR PRO SERIES WITH CLAMP BRACKET

Part Number	M1666CS	M18687CS	M18695CS
Total Diameter (A)	690mm	890mm	1091mm
Mirror Face Diameter	590mm	790mm	991mm
Mirror Depth	41mm	66mm	82mm
Acrylic Thickness	2mm	2mm	2mm
Length of Bracket (B)	250mm	250mm	250mm
Clamp Bracket Dia.	75mm	75mm	75mm
Back	Moulded ASA	Moulded ASA	Moulded ASA

FRONT VIEW



REAR VIEW

