

Cash Safes & Vaults

Micro Vault

Euro Vault

Mini Vault/FR

Euro Grade 0-5

DIY & House Safes

Safeguard & Protector

Deposit Safes

Bespoke Safes





“Bringing piece of mind to
any environment”



Mini Vault 3

CASH SAFES & VAULTS

Our range of freestanding safes offers the most comprehensive selection whilst maintaining clear areas of speciality. Each safe is given a cash rating depending on its ability to resist attack, which is designed to help you choose the model that best meets your needs. Our Euro Graded safes offer maximum protection with full VdS Test House approval and provides a robust solution for storing money and valuables in either domestic or commercial environments.



Micro Vault

(£1,000 cash rating)*

A compact and affordable option, the Micro Vault provides a cash rating of up to £1,000 and will also provide valuables cover of up to £10,000. This rule (x10) can be applied to the safes in all of the Securikey ranges.

Perfect for domestic environments like home offices where cost and size are paramount, the Micro Vault is available in a discreet grey powder-coated paint finish with red interior carpeted base as standard.

The Micro Vault 2 with a removable shelf can accommodate A4 documents. This larger size is fitted with a choice of electronic lock or Euro Profile cylinder for those customers who wish to integrate their safe and house keys.

ELECTRONIC MODEL:

- With LED display.
- Locking is via an anti-bump solenoid lock with soft touch keypad.
- An override key and master code ensures emergency entry at all times.
- 4 x AA Batteries supplied.

KEY LOCK MODEL:

- Supplied with Euro Profile 5 pin cylinder, 40mm in length, along with 2 keys.

Body thickness of 2mm and 5mm steel door with 20mm steel locking bolts.

Available in 2 sizes.



Micro Vault 2 Electronic



Micro Vault 2



£1,000

Micro Vault

Model	External Dimensions (mm)			Internal Dimensions (mm)			Weight (kg)	Volume (l)	Shelf
	Height	Width	Depth	Height	Width	Depth			
Micro Vault 1 Electronic	200	310	200	195	305	139	6.9	8	-
Micro Vault 2 Electronic	250	350	250	245	345	189	10.1	16	1
Micro Vault 2 Key	250	350	250	245	345	189	10.1	16	1

*Insurance ratings may vary dependant on risk & location. Please check with your insurers.



Euro Vault

(£1,500 cash rating)*

Utilizing the same build quality as our Mini Vault range these safes will take a laptop, cash drawer, box file or valuables and are available with either a motorised electronic lock with keypad and integrated light for the convenience of keyless entry or Euro Profile Cylinder, for those customers who wish to integrate their safe with house or business security arrangements. Perfect for any situation where cost and flexibility are paramount. Optional hotel mode is perfect for commercial rental when included in hotel rooms or serviced apartments.



Euro Vault Range

KEY LOCK MODEL:

- Manufactured with a 2mm body and 4mm anti-budgeon flush fit door, with 20mm hardened steel locking bolts.
- Supplied with Euro Profile half cylinder. 40mm length.

ELECTRONIC MODEL:

- Locking is via a motorised lock with keypad.
- An override key and master code ensures emergency entry at all times.

GAS STRUT ELECTRONIC:

- Designed to allow installation in areas with limited access, this unit has a larger door and integrated light.
- Hinged door with twin gas strut assistance.
- Locking is via a motorised lock with keypad.

DRAWER SAFE:

- Available in 2 sizes that are perfect for fitted furniture.
- Motorised electronic locking.
- Integrated light.



Euro Vault Electronic Drawer



£1,500

Euro Vault

Model	External Dimensions (mm)			Internal Dimensions (mm)			Weight (kg)	Volume (l)
	Height	Width	Depth	Height	Width	Depth		
Euro Vault Key	200	500	400	195	495	350	17	34
Euro Vault Electronic	200	500	400	195	495	350	17	34
Euro Vault Gas Strut	150	400	350	95	395	345	12	13
Euro Vault 12L Drawer	205	400	370	135	305	295	14	12
Euro Vault 17L Drawer	200	510	380	140	405	305	18	17

*Insurance ratings may vary dependant on risk & location. Please check with your insurers.



Mini Vault Silver S2

(£4,000 cash rating)*

The Mini Vault Silver is ideal for the safekeeping of cash and valuables. Whilst the manufacturing techniques used provide a robust unit for domestic and commercial applications, its internal fittings are those you would expect to protect delicate valuables such as watches, jewellery and electronic tablets. This protection is achieved by utilising an anti-bludgeon laser cut door (to prevent prying and chisel attack) mounted on concealed hinges and hardened steel plates to protect all vulnerable areas. Both key and electronic lock are tested and certified to EN14450-S2.

- Manufactured with a 4mm body and 8mm anti-bludgeon flush fit door, with 25mm hardened steel locking bolts.
- Available in 4 sizes, plus 2 deposit options.
- A choice of key or electronic locking mechanisms, the electronic option offers changeable codes, low power warning and LED indicators.
- All models have felt-lined walls, thick foam base pad, jewellery shelf* and battery operated motion sensitive light.
- Mini Vault 3 has been designed to accommodate a cash till or jewellery drawer with a width of 410mm.

Deposit options available (see page 23)



Mini Vault Silver S2 Range



Single User Code with master override and wrong code penalty



Mini Vault Silver

Model	External Dimensions (mm)			Internal Dimensions (mm)			Weight (kg)	Volume (l)	Shelves
	Height	Width	Depth	Height	Width	Depth			
Mini Vault 0	250	374	274	240	354	210	23	18	–
Mini Vault 1	294	374	325	282	354	260	29	26	1
Mini Vault 2	532	374	425	522	354	360	52	67	2
Mini Vault 3	470	435	405	455	420	355	50	68	1

* Insurance rating may vary depending on risk and location. Please check with your insurers • Keypad and handle increase depth by 35mm



Mini Vault Gold FR S2

(£4,000 cash rating)*

The Mini Vault Gold FR is ideal for the safekeeping of documents, valuables and cash. Whilst the manufacturing techniques used are intrinsically the same as Mini Vault Silver the FR model benefits from a double-walled construction, with a fire-resistant barrier material to DIN 4102. The inclusion of this second level of protection gives the FR model light fire protection. All models are tested and certified to EN14450-S2.



- Combined body thickness of 6mm, an 8mm anti-bludgeon door with 25mm hardened steel locking bolts.
- Available in 4 sizes.
- Choice of key or electronic locking mechanisms. The electronic options offer changeable codes, multiple users, low power warning and LED indicators.
- All models include jewellery shelf* and battery operated motion sensitive light, fixing bolts, batteries and operating instructions.



Concealed Hinge & Dog Bolt



Mini Vault Gold FR S2 range

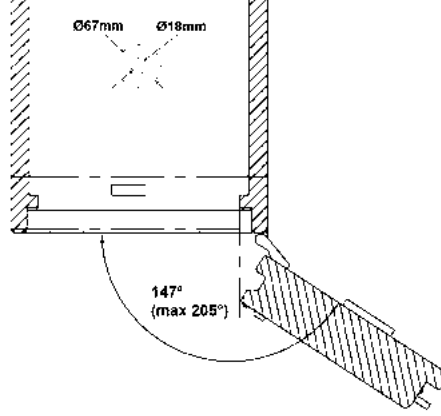


£4,000 Light Fire Protection

Mini Vault Gold FR S2

Model	External Dimensions (mm)			Internal Dimensions (mm)			Weight (kg)	Volume (l)	Shelves
	Height	Width	Depth	Height	Width	Depth			
Mini Vault 0 FR	250	374	274	138	304	168	26	7	–
Mini Vault 1 FR	294	374	325	182	304	220	32	12	1
Mini Vault 2 FR	532	374	425	420	304	320	58	41	2
Mini Vault 3 FR	470	435	405	350	360	305	55	38	1

* Insurance rating may vary depending on risk and location. Please check with your insurers • Keypad and handle increase depth by 35mm



Euro Grade 0 (£6,000 cash rating)*

Constructed to exceed the criteria laid down by the insurance and security industry, these Euro Grade '0' safes are also designed to blend in with today's modern environments, a subtle combination of materials and components that function well beyond expectations.



0055

- £6,000 overnight cash cover (£60,000 valuables).*
- Fire resistant door seal and base fixing point with rear fixing option included as standard. Tested to BS476-20/EN1363-1.
- Manufactured in accordance with EN1143-1 and independently tested and certified by VdS test house.
- 3-way square locking bolt work, with continuous hinge side protection.
- Door opened to 205° for maximum access.
- Fitted with VdS class 1 double bitted safe lock & 2 keys.
- Optional combination or electronic locking available.
- Internal door pan is locked to prevent tampering.
- Supplied with adjustable (50mm intervals)/removable shelf.

**Multiple locking options (see page 45)
Deposit options (see page 22)**



Adjustable Shelf



SafeLogic Direct Drive



£6,000



Light Fire Protection

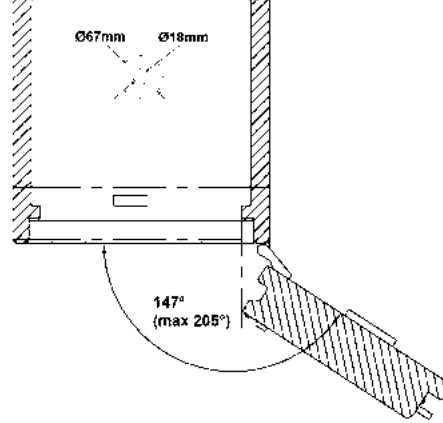


Recycled and recyclable materials

Euro Grade 0 Single Key Lock

Model	External Dimensions (mm)			Internal Dimensions (mm)			Weight (kg)	Volume (l)	Lever Arch Files	Shelves
	Height	Width	Depth ¹	Height	Width	Depth				
0015 ²	395	325	300	334	275	180	72	17	–	1
0025 ²	395	405	345	334	355	225	91	27	–	1
0035 ²	395	405	425	334	355	305	105	36	4	1
0055 ²	570	405	425	509	355	305	135	55	4	1
0085	570	505	495	509	455	375	172	87	6	1
0095 ³	755	505	425	694	455	305	192	96	12	1

¹Excludes 25mm for hinge/handle protection ² Locking option G available only ³ Dual locking available on model 0095 • Insurance ratings may vary dependent on risk & location. Please check with your insurers.



Euro Grade 1

(£10,000 cash rating)*

Using the latest technology and with close consultation with what is recognised as one of the best independent test houses, these safes have been designed to perform under the toughest conditions. Their ultra modern appearance and lightweight construction allows integration into most environments.

- Tested and certified according to EN 1143-1 Security Grade I.
- Fitted with solid steel sliding bolts on three sides, continuous hinge protection and a single security key lock.
- Fire resistant door seal and base fixing point with rear fixing option included as standard. Tested to BS476-20/EN1363-1.
- Optional fittings include adjustable shelving, a lockable compartment, metal door pocket and a rotary or tube deposit facility.
- Dual locking possible on models 1095N to 1780.
- Bespoke RAL colours available.



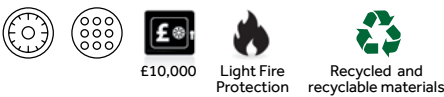
Multiple locking options (see page 45)
Deposit options (see page 22)



Three-way locking bolts



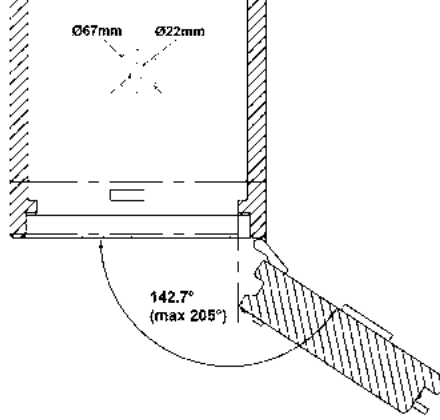
Witkopp Primor



Euro Grade 1 Single Key Lock

Model	External Dimensions (mm)			Internal Dimensions (mm)			Weight (kg)	Volume (l)	Lever Arch Files	Shelves
	Height	Width	Depth ¹	Height	Width	Depth				
1015N ²	410	335	300	334	275	180	55	17	–	1
1025N ²	410	415	345	334	355	225	75	27	–	1
1035N ²	410	415	425	334	355	305	85	36	4	1
1055N ²	585	415	425	509	355	305	105	55	4	1
1085N	585	515	495	509	455	375	130	87	6	1
1095N	770	515	425	694	455	305	155	96	12	1
1120N	940	515	425	864	455	305	180	120	12	2
1180N	1,120	515	495	1,044	455	375	225	178	18	2
1410N	1,475	765	535	1,399	705	415	375	409	36	3
1535	1,850	840	580	1,720	730	415	495	521	45	4
1780 ³	1,850	1,190	580	1,720	1,080	415	665	771	70	4

¹ 45mm extra depth with handle and different locks. ² Locking option G available only. ³ Double doors.
 *Insurance ratings may vary dependent on risk & location. Please check with your insurers.



Euro Grade 2 (£17,500 cash rating)*

As with all our Euro Graded safes this model is constructed from solid steel with a composite slab door. The smallest model with a 39 litre capacity is one of the most compact Grade 2 safes on the market today. With a range extending to a capacity of 847 litres there is a model to suit virtually any application.

- Tested and certified according to EN 1143-1 Security Grade 2.
- Fitted with solid steel sliding bolts on three sides, continuous hinge protection and a single security key lock.
- Multiple locking options available.
- Fire resistant door seal and base fixing point with rear fixing option included as standard. Tested to BS476-20/EN1363-1.
- Optional fittings include adjustable shelving, a lockable compartment, metal door pocket and a rotary or tube deposit facility.
- Dual locking available on models 2070N to 2845N.
- Bespoke RAL colours available – please contact us for details.



2040N

Multiple locking options (see page 45)
Deposit options (see page 22)



Bespoke Paint Colour

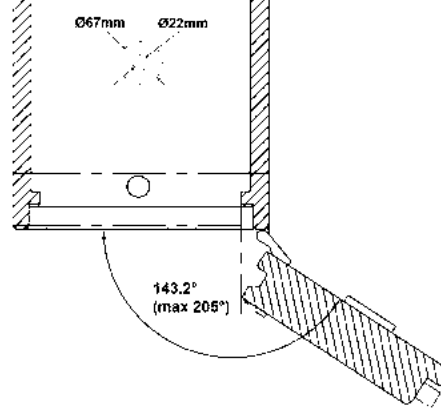


Mechanical Combination Lock Option

Euro Grade 2 Single Key Lock

Model	External Dimensions (mm)			Internal Dimensions (mm)			Weight (kg)	Volume (l)	Lever Arch Files	Shelves
	Height	Width	Depth ¹	Height	Width	Depth				
2040N ²	430	460	450	334	380	305	137	39	5	1
2070N ³	605	535	450	509	455	305	200	71	6	1
2095N ³	790	535	450	694	455	305	247	96	12	1
2175N ³	960	610	530	864	530	385	344	176	14	2
2215N ³	1,140	610	530	1,044	530	385	397	213	21	2
2285N ³	1,495	610	530	1,399	530	385	501	285	28	3
2395N ³	1,495	760	560	1,399	680	415	599	395	36	3
2440N ³	1,320	760	675	1,224	680	530	585	441	27	2
2580N ³	1,850	840	580	1,754	760	435	768	580	45	4
2845N ^{3,4}	1,850	1,190	580	1,754	1,110	435	978	847	70	4

¹ 45mm extra depth with handle and different locks. ² Locking option G available only. ³ Dual locking available on models 2070N to 2780. ⁴ Double Doors. *Insurance ratings may vary dependent on risk & location. Please check with your insurers.



Euro Grade 3

(£35,000 cash rating)*

A safe tested to Grade 3 as well as providing a cash rating of up to £35,000 will also provide valuables cover of up to £350,000. This rule (x10) can be applied to the safes across all of the Securikey ranges.



3070N

- Tested and certified according to EN1143-1 Security Grade 3.
- 3-way 40mm locking bolts, continuous hinge protection and a single high security key lock or digital keypad to EN1300.
- Fire resistant door seal and base fixing point with rear fixing option included as standard. Tested to BS476-20/ EN1363-1.
- Standard fittings include adjustable shelving and an alarm connection loop.
- Optional fittings include a lockable inner compartment, metal door pocket and a rotary or tube deposit facility.
- Dual locking available on all models.
- Bespoke RAL colours available – please contact us for details.

Multiple locking options (see page 45)
Deposit options (see page 22)



Lockable Compartment Option



Solid External Hinges & Fire/Smoke Seal



£35,000



Light Fire Protection



Recycled and recyclable materials

Euro Grade 3 Single Key Lock

Model	External Dimensions (mm)			Internal Dimensions (mm)			Weight (kg)	Volume (l)	Lever Arch Files	Shelves
	Height	Width	Depth ¹	Height	Width	Depth				
3070N	600	535	464	509	455	305	275	71	6	1
3095N	785	535	464	694	455	305	340	96	12	1
3175N	955	610	544	864	530	385	480	176	14	2
3215N	1,135	610	544	1,044	530	385	550	213	21	2
3285N	1,490	610	544	1,399	530	385	660	285	28	3
3395N	1,490	760	574	1,399	680	415	830	395	36	3
3440N	1,315	760	689	1,224	680	530	860	441	27	2
3560N	1,850	840	580	1,759	760	421	1,057	563	45	4
3820N ²	1,850	1,190	580	1,759	1,100	421	1,346	822	70	4

¹ 45mm extra depth with handle and different locks. ² Double Doors • Dual locking available on all models
 *Insurance ratings may vary dependent on risk & location. Please check with your insurers.



Euro Grade 4 & Euro Grade 5 Dual Locking

(£60,000, Grade 4 or £100,000, Grade 5 cash rating)*

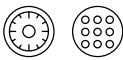
Euro Grade 4 and 5 offers the ultimate solution for cash and valuables protection. Typical installations include Banks and Diamond Merchants.



4080N



5535



£60,000



Recycled and recyclable materials

- Tested and certified according to EN 1143-1 and fitted with 2 locks to EN 1300.
- Fitted with 40mm steel sliding bolts.
- Fire-resistant door seal and base fixing points. Tested to BS476-20/ EN1363-1.
- Electronic locking options available.
- Standard fittings include adjustable shelving and an alarm connection loop.
- Optional lockable inner compartment, metal door pocket and rotary or tube deposit facility.
- Bespoke RAL colours available – please contact us for details.

Multiple locking options (see page 45)
Deposit options (see page 22)

Euro Grade 4 Dual Locking (Key/Mechanical Combination)

Model	External Dimensions (mm)			Internal Dimensions (mm)			Weight (kg)	Volume (l)	Lever Arch Files	Shelves
	Height	Width	Depth ¹	Height	Width	Depth				
4080N	600	610	464	509	530	305	315	82	7	1
4095N	785	535	464	694	455	305	355	96	12	1
4175N	955	610	544	864	530	385	495	176	14	2
4215N	1,135	610	544	1,044	530	385	565	213	21	2
4285N	1,490	610	544	1,399	530	385	675	285	28	3
4395N	1,490	760	574	1,399	680	415	845	395	36	3
4440N	1,315	760	689	1,224	680	530	875	441	27	2
4560N	1,850	840	580	1,759	760	421	1,077	563	45	4
4820N ²	1,850	1,190	580	1,759	1,110	421	1,372	822	70	4

¹ 45mm extra depth with handle and different locks. ² Double Doors • Doors open to 205° • *Insurance ratings may vary dependent on risk & location. Please check with your insurers.



£100,000



Recycled and recyclable materials

Euro Grade 5 Dual Locking (Key/Mechanical Combination)

Model	External Dimensions (mm)			Internal Dimensions (mm)			Weight (kg)	Volume (l)	Lever Arch Files	Shelves
	Height	Width	Depth ¹	Height	Width	Depth				
5100 ³	840	620	566	680	440	320	705	96	10	1
5150 ³	1,190	620	566	1,030	440	320	935	145	15	2
5245 ³	1,380	710	621	1,220	530	375	1,280	242	21	2
5280 ⁴	1,530	710	621	1,370	530	375	1,325	272	28	3
5425 ⁴	1,530	910	661	1,370	730	415	1,570	415	36	3
5535 ⁴	1,880	910	661	1,720	730	415	1,880	521	45	4
5780 ^{2,4}	1,880	1,260	661	1,720	1,080	415	2,380	771	70	4

¹ 45mm extra depth with handle and different locks. ² Double Doors ³ Doors open to 205° ⁴ Doors open to 170° • *Insurance ratings may vary dependent on risk & location. Please check with your insurers.

Underfloor & DIY Safes

(Up to £10,000 cash rating)*

Underfloor safes are designed for installation in a concrete floor. The level of protection provided due to the nature of the installation and location possibilities is huge. Our range of DIY safes is deemed suitable for installation with little or no specialist knowledge. Advice on the installation of this product will be provided at point of purchase.

DIY RANGE:

- Secure storage for A4 papers, passports, insurance certificates or jewellery.
- Models can be installed in a timber joist floor or can be surface mounted.

HOUSESAFE RANGE:

- Available in three models and secured with a high quality safe lock.
- An economical way of protecting cash, valuables and vital documents.



DIY Safes

Model	External Dimensions (mm)			Weight (kg)
	Height	Width	Depth	
Strongbox Extra Euro Profile Lock	130	400	235	12
Cupboard Safe Euro Profile Lock	130	350	235	12
Strongbox Extra	130	400	235	12.5



Housesafe – Body and Door

Model	External Dimensions (mm)			Weight (kg)
	Height ¹	Width	Depth	
Housesafe Extra – Size 1	345	230	230	17
Housesafe Extra – Size 2	415	305	305	23
Housesafe Extra Deposit	415	305	305	24

¹Includes neck height of 100mm. Aperture = 166 x 166mm.
*Insurance ratings may vary dependent on risk and location. Please check with your insurers.

Protector – Bodies

Model	External Dimensions (mm)			Weight (kg)
	Height ¹	Width	Depth	
Protector 1	380	360	270	14.5
Protector 2	470	360	270	16.5
Protector 3 Deposit	470	360	270	18.5
Protector 4	560	360	270	18.5
Protector 5 Deposit	560	360	270	20.5

¹Includes neck height of 150mm. Aperture = 227 x 180mm.



Protector – Doors

Model	External Dimensions (mm)			Weight (kg)	Cash Rating
	Height ¹	Width	Depth		
Protector Minor	–	247	200	7.5	£4,000
Protector	–	247	200	10.5	£6,000
Protector ABP ¹	–	247	200	11	£10,000

¹Extra Protection against attack with Oxy-Acetylene.

Safeguard & Protector



Protector Body 2

Safeguard Body 2

PROTECTOR RANGE:

- Available in five models with a choice of interchangeable doors covering 3 cash ratings.
- High level of security with interlocking bolts controlled by a key or keyless combination and anti-drill features.
- ABP models protect against thermal attack.

SAFEGUARD & SAFEGUARD PLUS:

- Safeguard door thickness 13mm, Safeguard Plus door thickness 25mm.
- Drill resistant.
- Double bitted key lock.
- Stainless steel locking components.

Multiple locking options (see page 45)



Safeguard Plus Door

Protector ABP Door

Safeguard – Bodies

Model	External Dimensions (mm)			Weight (kg)
	Height ¹	Width	Depth	
Safeguard 2	355	245	245	13
Safeguard 3	425	315	315	19
Safeguard 4D ²	425	315	315	20

¹Includes neck height of 100mm

²Deposit model includes 12pcs deposit capsules



Up to
£6,000

Safeguard – Doors

Model	External Dimensions (mm)		Weight (kg)	Cash Rating
	Diameter	Thickness		
Safeguard	175	13	5	£4,000
Safeguard Plus	175	25	7	£6,000

Deposit & Bespoke Safes

In most commercial environments there is a need for a deposit safe, somewhere where you can safely deposit items such as cash and other valuables without the need for a key or code to open the safe as well as not drawing attention to its existence. Securikey offers a wide range of quality deposit safes, with a variety of cash ratings and deposit methods, which offer total flexibility in the workplace.



Top Rotary Drum



Safety Deposit Boxes



Front Rotary Deposit with Lockable Door



Counter Cash

Underfloor Safes - Page 20 & 21

Model	External Dimensions (mm)			Weight (kg)
	Height ¹	Width	Depth	
Housesafe Extra Deposit	415	305	305	24
Protector 3 Deposit Body	470	360	270	18.5
Protector 5 Deposit Body	560	360	270	20.5
Safeguard 4 Body	425	315	315	20

¹Includes neck. Deposit models includes 12 pcs deposit capsules.

Euro Grade

Model	Aperture Size (mm)		
	Height	Width	Depth
Rotary Drum – Top	90	200	220
Rotary Deposit - Front	66	250	195
Slot Deposit	To customer specification		
Tube Deposit	To customer specification		



Electronic Inner Coffers



Mini Vault 2 Deposit



Colour options available

MINI VAULT SILVER (see page 13):

- Ideal under desks or counters.
- Available with letter slot deposit (Mini Vault 1) or front hopper deposit (Mini Vault 2).

EURO GRADE (see page 15):

- A wide range of models suitable for most applications.
- A choice of 4 different deposit methods including rotary drum, letter slot or capsule deposit tube.
- The secondary installation of a rotary drum or capsule deposit requires removal of the VdS badge. Please inform your insurers accordingly.

UNDERFLOOR SAFES (see page 20):

- Ideal for use where space is at a premium.
- Deposit tube diameter is 52mm.

COUNTER CASH

- One lock secures to base plate while a second releases stored notes.
- External dimensions 225 x 100 x 190mm.

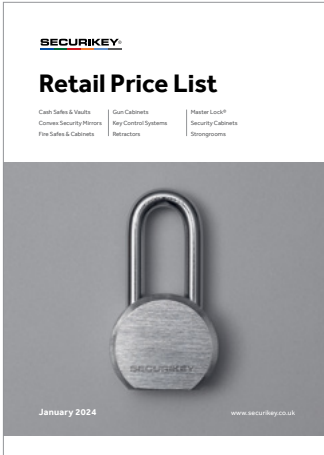
Multiple locking options (see page 45)

Mini Vault Silver

Model	External Dimensions (mm)			Internal Dimensions (mm)			Aperture Size (mm)		Weight (kg)	Volume (l)
	Height	Width	Depth	Height	Width	Depth	Height	Width		
Mini Vault 1 Deposit	294	374	325	210	365	260	20	140	28	15
Mini Vault 2 Deposit	532	374	425	260	365	360	100	250	48	34

Deposit models and modifications can result in reduced cash ratings. Please check with your insurers.

Other publications:



+44 (0)1252 311 888
securikey.co.uk
enquiries@securikey.co.uk

Securikey Limited, PO Box 18
 Aldershot, Hampshire, GU12 4SL

Disclaimer: Every effort has been made to ensure that the information in this brochure is correct. We have a policy of continually developing and improving our products and reserve the right to change specification without notice. By virtue of the Trades Description Act 1968 all measurements and weights must be considered approximate.

January 2024

